

## DEFENCE

# DynaKEEPR T11



### Performance features

Medium weight , open top suppression chamber mounted on trailer

Rated explosive capacity of 5 kg TNT-equivalent

Provides safe transportation and removal of e.g. suspect objects or ammunition.

Reduces the direct effects from large amounts of explosives detonating, by protecting against high speed fragments and blast wave in horizontal direction.

The integrated loading crane makes it possible to load the DynaKEEPR T11 from a safe distance.

### Horizontal protection suppression chamber

The DynaKEEPR T11 provides safe transportation and removal of items such as suspect objects or ammunition. It is a medium weight, open-top chamber with the ability to arrest fragments from an explosion and at the same time suppress the blast wave to a certain extent.

The DynaKEEPR T11 is designed for use in a large number of applications where the characteristics of this kind of chamber are sufficient. It is frequently used by military organizations and test ranges worldwide.

This is an open chamber, with a cylindrical opening at the top and a smaller opening at the bottom covered by a fragment plate. This means that the blast effects and light fragments will only have an upwards direction.

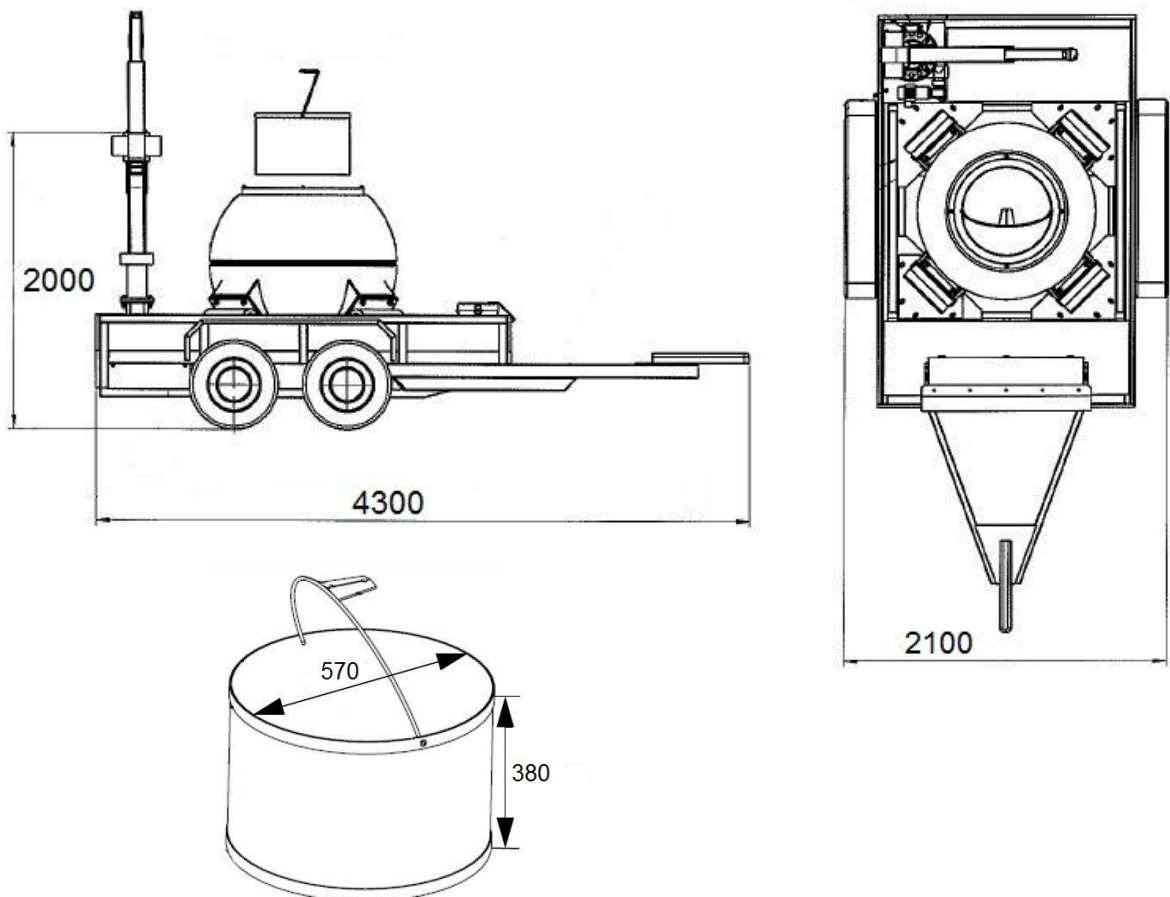
Loading and unloading the DynaKEEPR T11 can be carried out remote-controlled by a crane with a bomb loading basket and a robot.



## Technical characteristics

Characteristic	Value	Condition/Comment
<b>Explosion capacity</b>		
Rated explosion capacity	5 kg TNTeq	
<b>Weight and dimensions</b>		
Weight	~ 2200 kg	Unloaded
Maximum total weight	3000 kg	
Width	2100 mm	Equals 82.7 inch
Length	~ 4300 mm	Equals 169.3 inch
Length, Open (excl trailer, i.e. on frame)	~ 3300 mm	Equals 129.9 inch
Height, excl loading crane	1600 mm	Equals 63 inch
Height, with loading crane folded	~ 2000 mm	Equals 78.7 inch
<b>Loaded object</b>		
Maximum size of loaded object (ØxH)	570 x 380 mm	Equals 22.4 x 15.0 inch
Maximum weight of loaded object	50 kg	

Note: All technical data is indicative only. The final numbers will be shown on the drawing.



The content of this document is subject to change without prior notice or obligation. © 2012 Dynasafe AB