

PUBLIC SECURITY

DynaLOCKR S4



Performance features

Small fragment containing suppression chamber DynaLOCKR S4, mounted on a wheeled cart.

Easy to transport and handle, especially inside buildings.

Easy to load thanks to large opening.

Rated explosive capacity of 250 g TNT-equivalent.

Provides protection against fragments and the direct effects from the blast wave.

Quick containment of suspect objects, like letters, parcels or suitcases, etc.

Fragment containing suppression chamber

The DynaLOCKR S-series is quick and efficient first-response containment technology. Non-EOD personnel can immediately isolate suspicious objects, effectively protecting themselves and their surroundings while awaiting the arrival of bomb disposal experts.

The DynaLOCKR S4 is a small DynaLOCKR S-chamber, which is easy to handle and store.

The suppression chamber provides protection against fragments and suppresses the direct effects from the blast wave. Overpressure from an explosion is vented from the unit via a pressure release system.

The DynaLOCKR S4 is easy operated manually. The chamber is mounted on a wheeled cart, which in combination with the limited weight makes the DynaLOCKR S4 easy to move, especially inside buildings.

The cart can be adjusted manually between two different positions for transportation of the DynaLOCKR S4 in horizontal or up-right position.

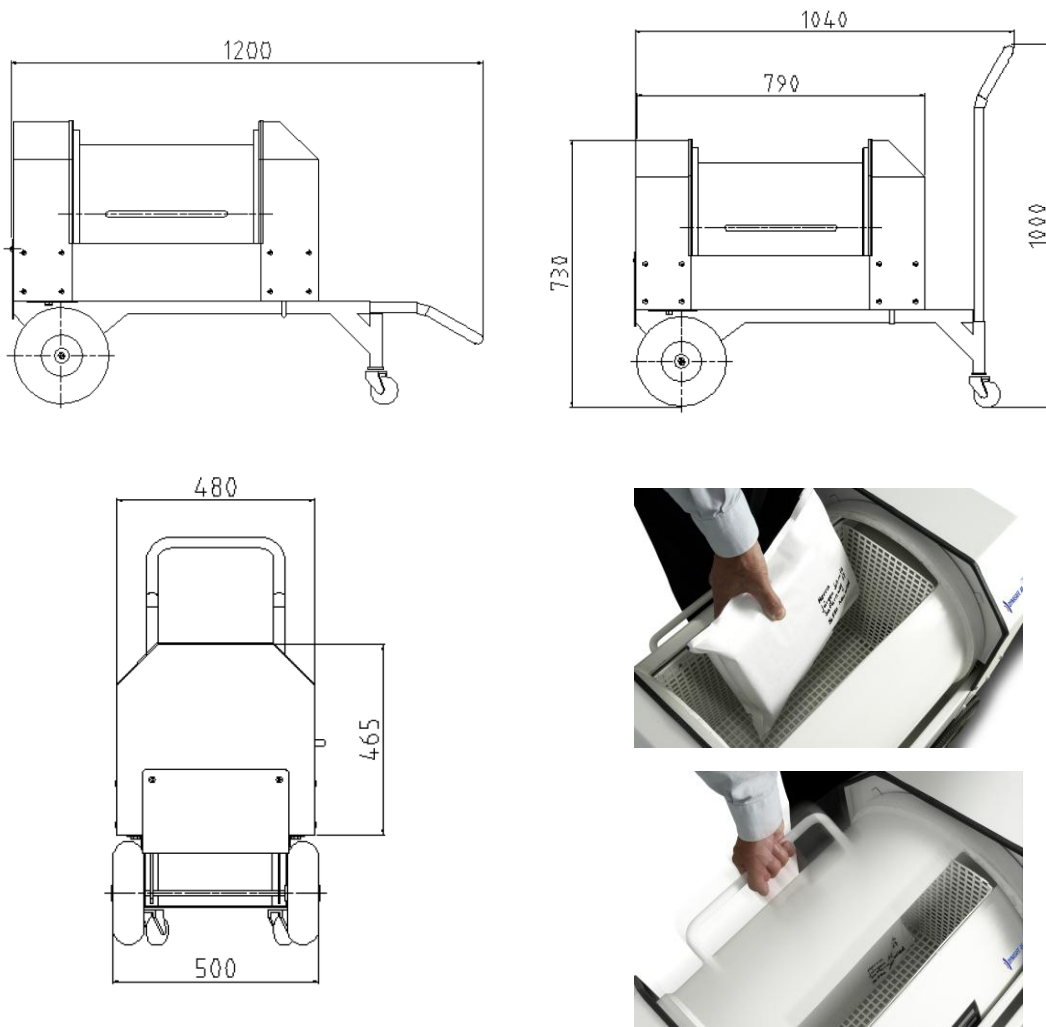
The DynaLOCKR S4 is mainly used at airports, train stations, or other public facilities for safe and quick protection against and removal of suspect objects.



Technical characteristics

Characteristic	Value	Condition/Comment
Explosion capacity		
Rated explosion capacity	250 g TNTeq	
Weight and dimensions		
Weight	120 kg	Unloaded
Width	~ 500 mm	Equals 19.7 inch
Height	1000 mm	Equals 39.4 inch
Length	1200 mm	Equals 47.2 inch
Loaded object		
Maximum size of loaded object (LxWxH)	400 x 200 x 300 mm	Equals 15.7 x 7.9 x 11.8 inch
Maximum weight of loaded object	10 Kg	

Note: All technical data is indicative only. The final numbers will be shown on the drawing.



The content of this document is subject to change without prior notice or obligation. © 2012 Dynasafe