

## AIRPORT / PUBLIC SECURITY

# DynaSEALR E5-WFS



### Performance features

Small DynaSEALR on wheeled frame, with straight opening.

Rated explosive capacity of 500 g TNT-equivalent.

Gas-tight with total containment of chemical and biological agents as well as the effects from explosions and toxic materials, such as shock wave and light fragments.

### Gas-tight protection

With the DynaSEALR E5 mounted on a frame with wheels and towing bar, you get a small mobile system, which is easy to handle and position.

DynaSEALR E5-WFS can be used for the safe storage and transport of chemical and biological agents, explosives, toxic materials or a combination of explosives and toxic materials. It will totally contain all effects, such as blast wave and light fragments from a detonating device.

The vessel can be used in a large number of applications involving transport, removal and containment of dangerous objects by law enforcement, military units, security companies, organizations and airports.

When the suspect object is loaded into the DynaSEALR and the unit is closed, locked and sealed, it can be moved to a safer location where EOD experts are able to investigate the object without danger to public or property.

The gas-tight DynaSEALR is manufactured in extra-high strength structural steel and the cover is efficiently sealed with pneumatic seal and O-ring. A valve system ensures the safe release and sampling of gases after a detonation.

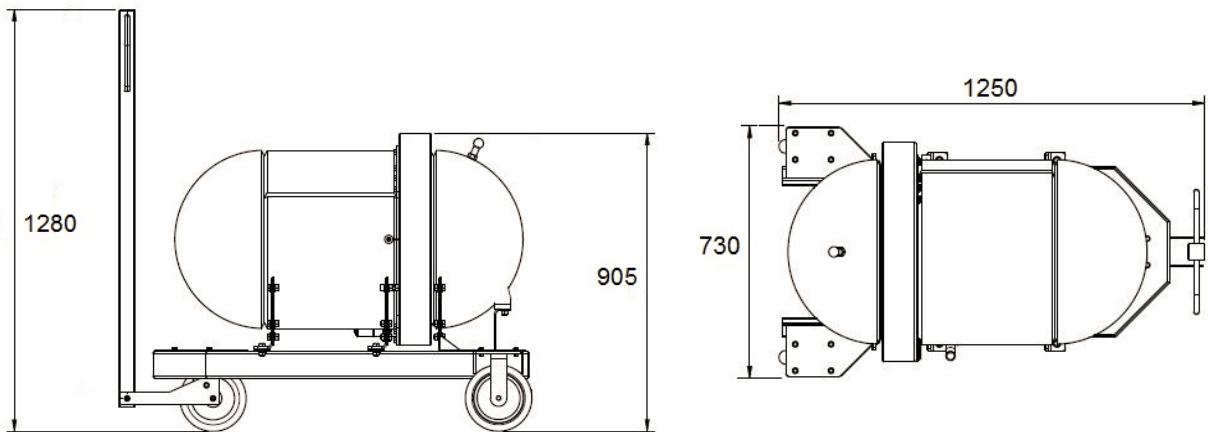
The containment vessel is formed as a cylinder with dished ends, where it is possible to open one end by hand for easy loading. It is equipped with a loading box and mounted on a four wheel cart for easy transport and handling.



## Technical characteristics

Characteristic	Value	Condition/Comment
<b>Explosion capacity</b>		
Rated explosion capacity	500 g TNTeq	
<b>Weight and dimensions</b>		
Total Weight	420 kg	Unloaded
Width	730 mm	Equals 28.7 inch
Height (excl towbar)	905 mm	Equals 35.6 inch
Length, Closed	1250 mm	Equals 49.2 inch
Length, Open (towbar upright)	1700 mm	Equals 66.9 inch
<b>Loaded object</b>		
Maximum size of loaded object (LxWxH)	500x250x400 (alt 500x400x250) mm	Equals 19.7 x 9.8 x 15.7 inch
Maximum weight of loaded object	10 kg	

Note: All technical data is indicative only. The final numbers will be shown on the drawing.



The content of this document is subject to change without prior notice or obligation. © 2012 Dynasafe