

LAW ENFORCEMENT

DynaSEALR X10-DUR



Performance features

DynaSEALR X10 on integrated drive unit, with remotely operated opening, closing, moving and manoeuvring.

Rated explosive capacity of 5 kg TNT-equivalent.

Gas-tight with total containment of chemical and biological agents as well as the effects from

explosions and toxic materials, such as shock wave and light fragments.

Optional extra equipment: Vision system, manipulator arm, fragment shield, heating. Gas sampling equipment, decontamination equipment on separate trailer.

Gas-tight protection

Use the DynaSEALR X10-DUR to get close to identified dangerous objects in narrow surroundings. The user can remotely move and manoeuvre the DynaSEALR X10-DUR into an area of risk, and remotely open and close the vessel.

The panel is wirelessly connected to the control cabinet to enable the user to be positioned in a safe place while loading and unloading the vessel. Add the optional vision system to get full usage of the remote range of up to 300 m from the vessel. As a backup, it is also possible to use a 50 m cable.

The unit is self-propelled through internal electrical and hydraulic systems with at least an

hour of operating time before recharging. Load large objects easily thanks to the wide opening and the ability to rotate the cover with the loading tray up to 270°.

A flat-bed trailer for long distance transport is included in the system. Loading ramps make it possible to load the unit with the help of a winch.

Contained gases can be kept inside until they are released through a valve system. Dynasafe can offer equipment to take air samples out of the closed and gas-tight vessel, with the purpose to determine if toxic gases are enclosed inside, as well as equipment to clean contained gases and decontaminate the chamber.

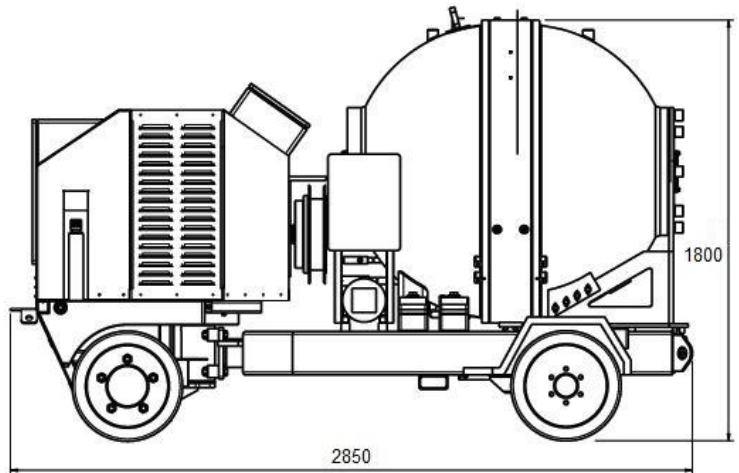
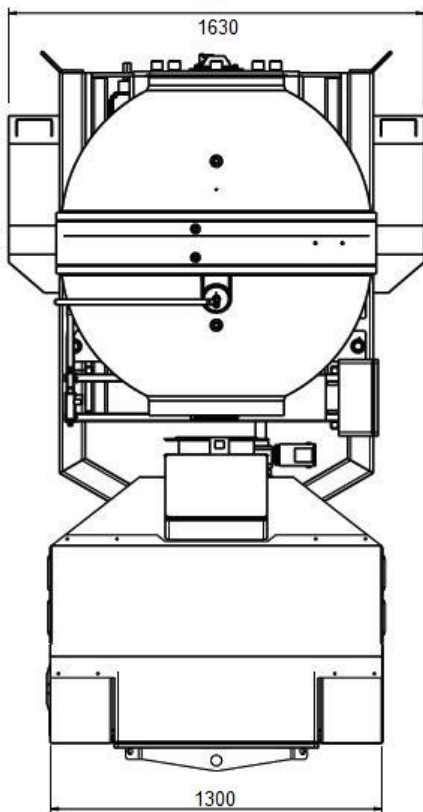
Available options *not included in the standard version*

- Remote controlled manipulator arm for loading and unloading.
- Vision system to support the remote control.
- Heating system, capable of heating the loading tray to approximately 350°C. This will cause explosives to burn, deflagrate or detonate.
- Fragment shield to protect against fragmentation bombs.
- Separate gas sampling equipment to take air samples out of the closed DynaSEALR.
- Decontamination equipment on a separate trailer, to treat contamination inside the closed vessel.

Technical characteristics

Characteristic	Value	Condition/Comment
Explosion capacity		
Rated explosion capacity	5 kg TNTeq	
Weight and dimensions		
Gross vehicle weight, unloaded	~4200 kg	Excl trailer and optional equipment
Trailer weight	~2500 kg	
Width (excl trailer)	1630 mm	Equals 64.2 inch
Height (excl trailer)	1800 mm	Equals 70.9 inch
Length, Closed (excl trailer)	2850 mm	Equals 112.2 inch
Loaded object		
Maximum size of loaded object (LxWxH)	700 x 500 x 450 mm	27.6 x 19.7 x 17.7 inch (less with heating)
Maximum weight of loaded object	50 kg	
Drive unit		
Max speed, 2 nd gear	~3.6 km/h	Low/High speed setting: 1.8 / 3.6 km/h
Operating time	Min 60 minutes	
Wireless remote control		
Stand-off distance	Max 300 m	Line of sight

Note: All technical data is indicative only. The final numbers will be shown on the drawing.



The content of this document is subject to change without prior notice or obligation. © 2012 Dynasafe