

LAW ENFORCEMENT

DynaSEALR X10-LTS



Performance features

DynaSEALR X10 on trailer, with straight opening.

Remotely operated opening and closing, pressurizing and decompressing of seals.

Rated explosive capacity of 5 kg TNT-equivalent.

Gas-tight with total containment of chemical and

biological agents as well as the effects from explosions and toxic materials, such as shock wave and light fragments.

Optional extra equipment: robot buttons, radio remote control (RRC) and adjustable towbar. Gas sampling equipment, decontamination equipment on separate trailer.

Gas-tight protection

With the DynaSEALR X10 mounted on trailer, you get a mobile system with high explosion containment capacity. The vessel will totally contain and protect against chemical and biological agents as well as the effects from explosions, such as shock wave and light fragments.

Once a suspected toxic or explosive device is detected it is loaded into the DynaSEALR X10, thus securing the surrounding area. Now you can safely remove the object to a place where it can be investigated and evidence can be secured by EOD specialists in a manner that does not constitute a threat to public security.

Opening and closing of the vessel is remotely operated via a 50 m long cable. Also large objects can easily be loaded because of the wide opening.

Contained gases can be kept inside until they are released through a valve system. Dynasafe can offer equipment to take air samples out of the closed and gas-tight vessel, with the purpose to determine if toxic gases are enclosed inside, as well as equipment to clean contained gases and decontaminate the chamber.

The trailer is a double axle purpose-built trailer that can be towed by a SUV, station wagon or similar vehicle.

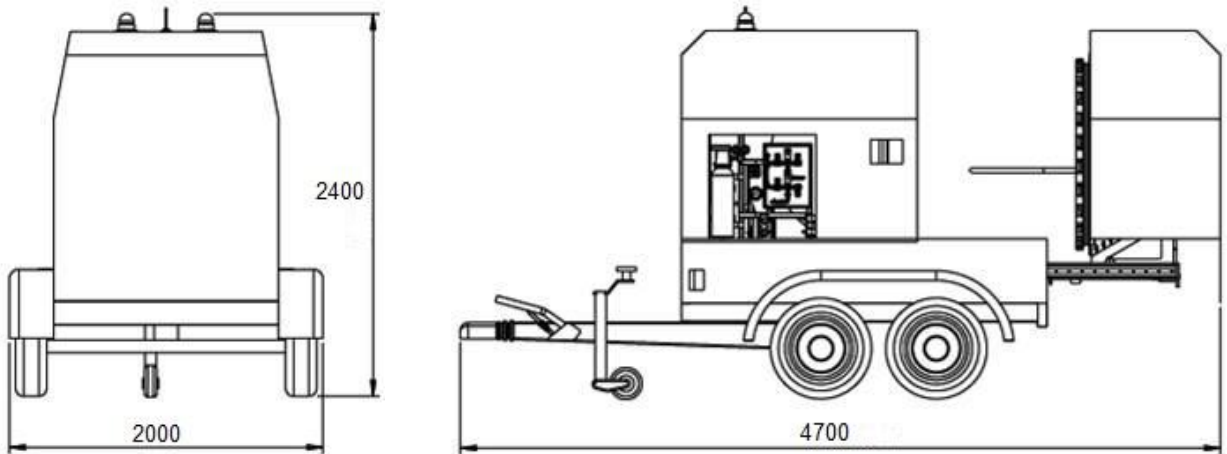
Available options *not included in the standard version*

- Robot buttons for alternative opening/closing by robot.
- Wireless (radio remote) control of opening and closing of the vessel as well as pressurizing and decompressing of the seals.
- Adjustable towbar on the trailer.
- Separate gas sampling equipment to take air samples out of the closed DynaSEALR.
- Decontamination equipment on a separate trailer, to treat contamination inside the closed vessel.

Technical characteristics

Characteristic	Value	Condition/Comment
Explosion capacity		
Rated explosion capacity	5 kg TNTeq	
Weight and dimensions		
Total weight	3200 kg	Incl a load of 50 kg
Width	2000 mm	Equals 78.7 inch
Height	2400 mm	Equals 94.5 inch
Length, Closed	3700 mm	Equals 145.7 inch
Length, Open	4700 mm	Equals 185 inch
Loaded object		
Maximum size of loaded object (LxWxH)	900 x 500 x 450 mm	Equals 35.4 x 19.7 x 17.7 inch
Maximum weight of loaded object	50 kg	

Note: All technical data is indicative only. The final numbers will be shown on the drawing.



The content of this document is subject to change without prior notice or obligation. © 2012 Dynasafe