

AIRPORT / PUBLIC SECURITY

DynaKEEPR L4



Performance features

- Bomb proof litter bin which increases public security
- Reduces the direct effects from large amounts of explosives detonating, by protecting against high speed fragments and blast wave in horizontal direction
- Attractive design
- Easy to empty
- Flexible use – with or without inner bomb suppression chamber

Increased public protection

The DynaKEEPR L4 is a bomb proof litter bin with an attractive design, made to withstand detonations and give protection against high-speed fragments and blast wave in horizontal direction.

The suppression bin has a dual casing and can be used with or without the inner bomb suppression chamber depending on the security level needed.

DynaKEEPR L4 has a high suppression capacity which has been thoroughly verified, in computer simulations and in dynamic explosive tests.

The unique design makes the emptying of litter quick and easy. The general appearance of the litterbin will fit into its surroundings, where it will be used and experienced as an ordinary litter bin by people passing through

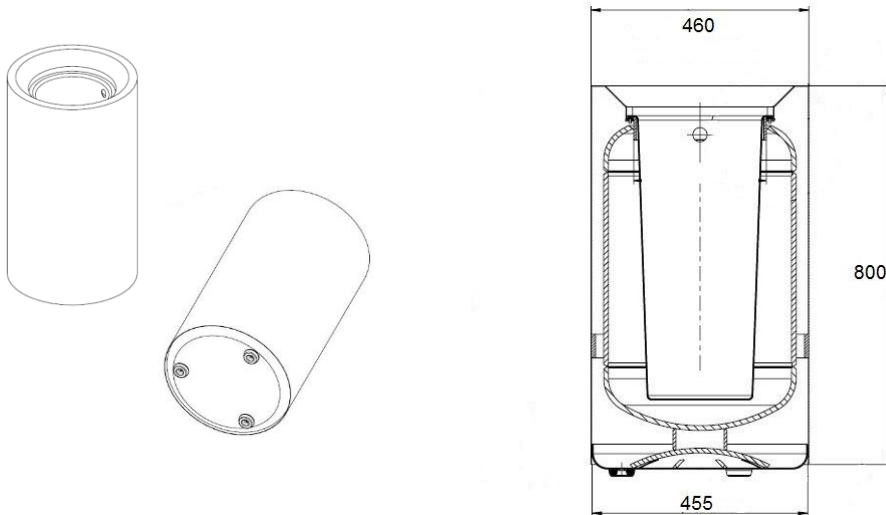
This product is used to increase public security at airports, railway stations, banks and other public areas.



Technical characteristics

Characteristic	Value	Condition/Comment
Explosion capacity		
Due to the sensitive nature of this product, Dynasafe will not publicize the rated explosion capacity. Written requests for the explosion capacity will be evaluated on a case by case basis.		
Weight and dimensions		
Total weight	~ 100 kg	Empty
Weight of inner suppression chamber	~ 80 kg	Empty
Total height	800 mm	Equals 31.5 inch
Outer diameter	460 mm	Equals 18.1 inch
Litter capacity		
Litter sack volume	~ 29 litre	
Inner suppression chamber volume	~ 73 litre	

Note: All technical data is indicative only. The final numbers will be shown on the drawing.



Designed to protect

The DynaKEEPR L4 has a high suppression capacity and enhances the protection of people and surroundings against an explosion by directing the blast wave in upwards direction.

The pictures are illustrating the difference between the effects of the same amount of TNT-equivalent exploding in a conventional litter bin (1) and in a DynaKEEPR L4 (2).

1



2



The content of this document is subject to change without prior notice or obligation. © 2012 Dynasafe