

AIRPORT SECURITY

DynaLOCKR S12



Performance features

Big fragment containing suppression chamber DynaLOCKR S12, mounted on a wheeled frame.

Easy to move, especially inside buildings. Easy operated by electronic control buttons. Easy to load because of large opening.

Rated explosive capacity of 1.3 kg TNT-equivalent.

Compatible with most baggage handling systems and X-ray equipments available.

Provides protection against fragments and the direct effects from the blast wave.

Fragment containing suppression chamber

The DynaLOCKR S-series is quick and efficient first-response containment technology. Non-EOD personnel can immediately isolate suspicious objects, effectively protecting themselves and their surroundings while awaiting the arrival of bomb disposal experts, or during removal to a safer location.

The DynaLOCKR S12 is our biggest DynaLOCKR S-chamber. It is designed for easy use in connection with most baggage handling systems and X-ray equipment available.

The suppression chamber provides protection against fragments and suppresses the direct effects

from the blast wave. Overpressure from an explosion is vented from the unit via a pressure release system.

The large opening makes the DynaLOCKR S12 easy to load. It is easy operated by electronic control buttons. The chamber is mounted on a wheeled frame, which in combination with the limited weight makes the DynaLOCKR S12 easy to move, especially inside buildings.

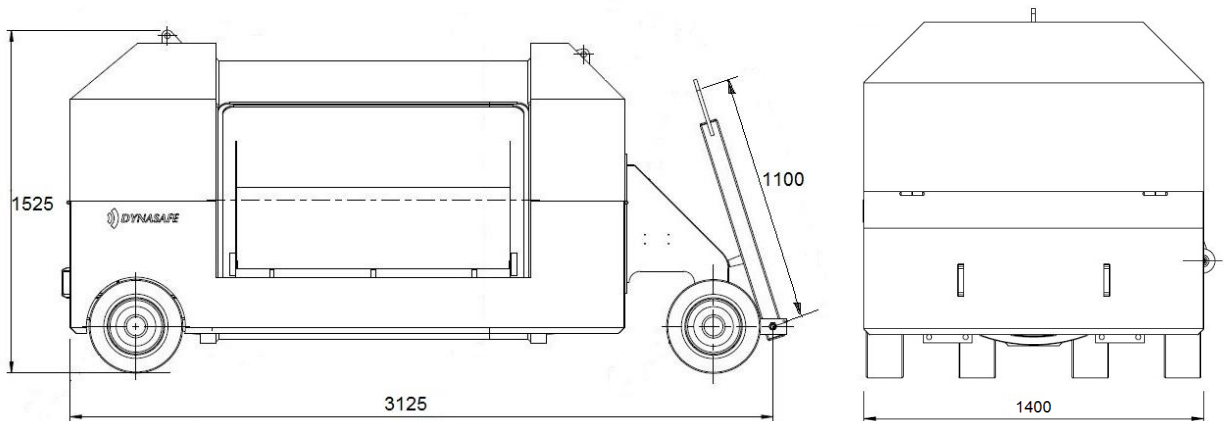
The most frequent usage of the DynaLOCKR S12 is at airports, train stations, or other public facilities, for safe and quick protection against and removal of suspect objects.



Technical characteristics

Characteristic	Value	Condition/Comment
Explosion capacity		
Rated explosion capacity	1.3 kg TNTeq	
Weight and dimensions		
Weight	~ 2000 kg	Unloaded
Width	1450 mm	Equals 57.1 inch
Height	1525 mm	Equals 60.0 inch
Length, Parking	~ 3250 mm	Equals 128.0 inch
Length, Towing	~ 4250 mm	Equals 167.3 inch
Loaded object		
Maximum size of loaded object (LxWxH)	1200 x 800 x 650 mm	Equals 47.2 x 31.5 x 25.6 inch
Maximum weight of loaded object	50 Kg	
Loading height (min)	470 mm	Equals 18.5 inch

Note: All technical data is indicative only. The final numbers will be shown on the drawing.



The content of this document is subject to change without prior notice or obligation. © 2012 Dynasafe