

AIRPORT SECURITY

DynaSEALR E12-WFR



Performance features

Medium weight DynaSEALR E12 on wheeled frame, for easy handling and positioning, and with rotating opening for flexible accessibility.

Compatible with most baggage handling and X-ray systems available.

Rated explosive capacity of 5 kg TNT-equivalent.

Gas-tight with total containment of chemical and biological agents as well as the effects from explosions and toxic materials, such as shock wave and light fragments.

Optional extra equipment: Equipment to sample gases before they are released after a detonation, and decontamination equipment on separate trailer.

Gas-tight protection

The DynaSEALR E12 with rotating opening is specially designed to meet the security demands of airports worldwide. Load large objects easily thanks to the wide opening and the ability to rotate the cover with the loading tray up to 270°.

Dynasafe offers containment chambers after x-ray scanning at level 3 / level 5.

Use a DynaSEALR E12-WFR chamber to reduce the need to close a terminal after a baggage item has been identified as hazardous.

When the baggage item is placed inside the chamber and the chamber is closed, locked and sealed, the unit can be transported out of the airport with minimum interruption.

The chamber can be easily towed and navigated through narrow spaces by an airport trolley.

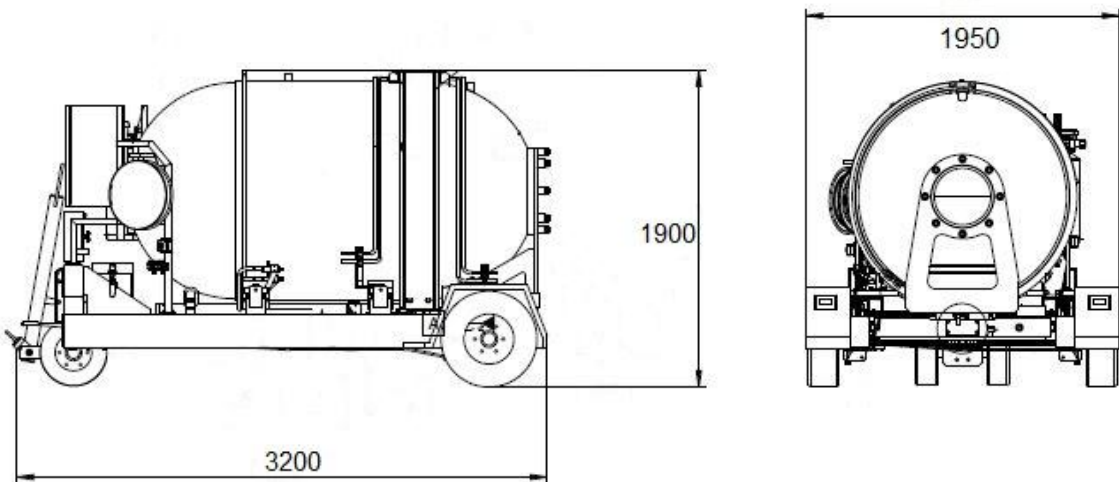
The DynaSEALR E12 will totally contain all effects, such as blast wave and light fragments, from a detonating device, or combinations of explosives and toxic material, such as chemical or biological agents.



Technical characteristics

Characteristic	Value	Condition/Comment
Explosion capacity		
Rated explosion capacity	5 kg TNTeq	
Weight and dimensions		
Weight	4600 kg	Unloaded
Width, Closed	1950 mm	Equals 76.8 inch
Width, Open	2860 mm	Equals 112.6 inch
Height	1900 mm	Equals 74.8 inch
Length, Closed	3200 mm	Equals 126.0 inch
Length, Open	4800 mm	Equals 189.0 inch
Loaded object		
Maximum size of loaded object (LxWxH)	1400 x 750 x 750 mm	Equals 55.1 x 29.5 x 29.5 inch
Maximum weight of loaded object	70 kg	
Loading height	770 - 950 mm	Equals 30.3 - 37.4 inch

Note: All technical data is indicative only. The final numbers will be shown on the drawing.



The content of this document is subject to change without prior notice or obligation. © 2012 Dynasafe