

AIRPORT / PUBLIC SECURITY

DynaSEALR E4-WFT



Performance features

Small DynaSEALR on wheeled frame, with straight opening.

Rated explosive capacity of 250 g TNT-equivalent.

Gas-tight with total containment of chemical and biological agents as well as the effects from explosions and toxic materials, such as shock wave and light fragments.

Gas-tight protection

With the DynaSEALR E4 mounted on a wheeled frame, you get a small mobile system, which is easy to handle and position.

DynaSEALR E4-WFT can be used for safe storage and transport of chemical and biological agents, explosives, toxic materials or a combination of explosives and toxic materials, and will totally contain all effects, such as blast wave and light fragments from a detonating device.

The vessel can be used in a vast number of applications involving transport, removal and containment of dangerous objects by law enforcement, military units, security companies, organizations and airports.

When the suspect object is loaded into the DynaSEALR and the unit is closed, locked and

sealed, it can be moved to a safer location where EOD experts are able to investigate the object without danger to public or property.

The gas-tight DynaSEALR is manufactured in extra-high strength structural steel and the cover is efficiently sealed with a pneumatic seal and O-ring. A valve system ensures a safe release and sampling of gases after a detonation.

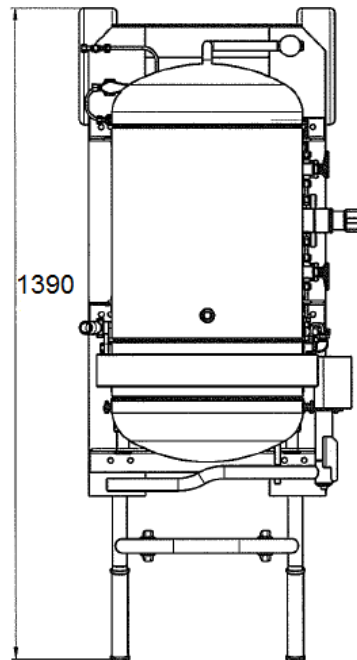
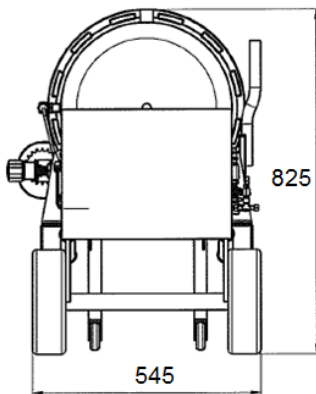
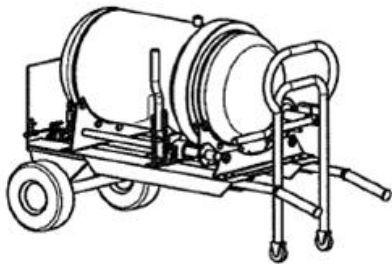
The containment vessel is formed as a cylinder with dished ends. It is possible to open one end by hand for easy loading. It is equipped with a loading box and mounted on a four wheel cart for easy transport and handling. The cart can be adjusted manually between two different positions for transportation of the DynaSEALR E4-WFT in horizontal or up-right orientation.



Technical characteristics

Characteristic	Value	Condition/Comment
Explosion capacity		
Rated explosion capacity	250 g TNTeq	
Weight and dimensions		
Weight	170 kg	Unloaded
Width, Closed	615 mm	Equals 24.2 inch
Width, Open	1000 mm	Equals 39.4 inch
Height	825 mm	Equals 32.5 inch
Length	1390 mm	Equals 54.7 inch
Loaded object		
Maximum size of loaded object (LxWxH)	400 x 200 x 300 mm	Equals 15.7 x 7.9 x 11.8 inch
Maximum weight of loaded object	10 kg	

Note: All technical data is indicative only. The final numbers will be shown on the drawing.



The content of this document is subject to change without prior notice or obligation. © 2012 Dynasafe