

DEFENCE

DynaSEALR X10-HTR



Performance features

DynaSEALR X10 on trailer, with rotating opening.

Remotely operated opening and closing, pressurising and decompressing of seals.

Rated explosive capacity of 5 kg TNT-equivalent.

Gas-tight with total containment of chemical and

biological agents as well as the effects from explosions and toxic materials, such as shock wave and light fragments.

Optional extra equipment: robot buttons, radio remote control (RRC), heating, manipulator arm, fragment shield. Gas sampling equipment, decontamination equipment on separate trailer.

Gas-tight protection

With the DynaSEALR X10 mounted on a heavy trailer, you get a mobile system with high explosion containment capacity and several possible add-on options.

Once a suspected toxic or explosive device is detected it is loaded into the DynaSEALR X10, thus securing the surrounding area. Now you can safely remove the object to a place where it can be investigated and evidence can be secured by EOD specialists in a manner that does not constitute a threat to public security.

Load large objects easily because of the wide opening and the ability to rotate the cover with the loading

tray up to 270°. Opening and closing of the vessel is remotely operated via a 50 m long cable.

Contained gases can be kept inside until they are released through a valve system. Dynasafe can offer equipment to take air samples out of the closed and gas-tight vessel, with the purpose to determine if toxic gases are present inside, as well as equipment to clean contained gases and decontaminate the chamber.

The trailer is a double axle purpose-built trailer that can be towed by an SUV, station wagon or similar vehicle.

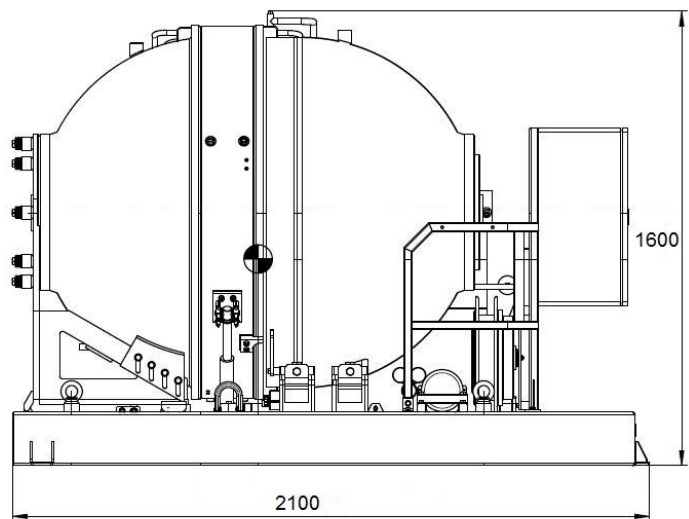
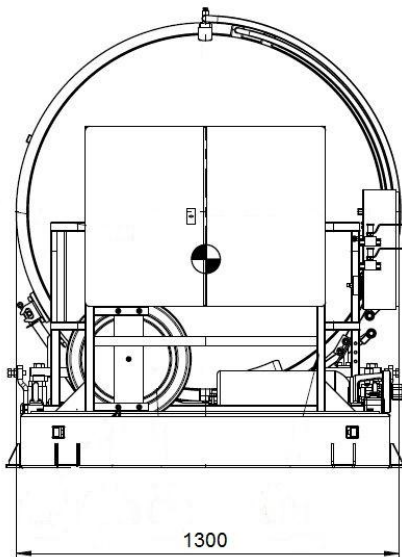
Available options *not included in the standard version*

- Robot buttons for alternative opening/closing by robot.
- Remote controlled manipulator arm for loading and unloading.
- Fragment shield to protect against fragmentation bombs.
- Separate gas sampling equipment to take air samples out of the closed DynaSEALR.
- Wireless (radio remote) control of opening and closing of the vessel as well as pressurising and decompressing of the seals.
- Heating system, capable of heating the loading tray to approximately 350°C. This will cause explosives to burn, deflagrate or detonate.
- Decontamination equipment on a separate trailer, to treat contamination inside the closed vessel.

Technical characteristics

Characteristic	Value	Condition/Comment
Explosion capacity		
Rated explosion capacity	5 kg TNTeq	
Weight and dimensions		
Total weight	< 6100 kg	Incl a load of 50 kg
Width (excl trailer, i.e. on frame)	~ 1300 mm	Equals 51.2 inch
Height (excl trailer, i.e. on frame)	~ 1600 mm	Equals 63 inch
Length, Closed (excl trailer, i.e. on frame)	~ 2100 mm	Equals 82.7 inch
Length, Open (excl trailer, i.e. on frame)	~ 3300 mm	Equals 129.9 inch
Loaded object		
Maximum size of loaded object (LxWxH)	900 x 550 x 400 mm	Equals 35.4 x 26.7 x 15.7 inch
Maximum weight of loaded object	50 kg	

Note: All technical data is indicative only. The final numbers will be shown on the drawing.



The content of this document is subject to change without prior notice or obligation. © 2012 Dynasafe AB