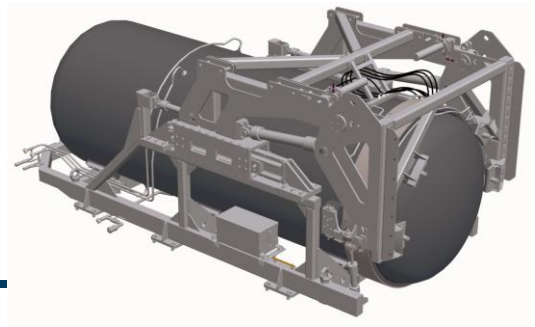


DEFENCE

DynaSEALR X16-FM



Performance features

DynaSEALR X16 mounted on a frame, e.g. for mounting on trailer.

Remotely operated opening and closing, pressurising and decompressing of seals.

Rated explosive capacity: distributed charge of 2 x 8 kg TNT-equivalent.

Gas-tight with total containment of chemical and biological agents as well as the effects from explosions and toxic materials, e.g. shock wave and fragments.

Optional extra equipment: Robot buttons, radio remote control (RRC), shaped charge shield, gas sampling equipment, enhanced decontamination equipment.

Gas-tight protection

The DynaSEALR X16-FM is a frame mounted chamber with enhanced containment capacity, that can be mounted on a transport vehicle, trailer or be used in more stationary applications.

The DynaSEALR X16-FM was originally developed for transportation and storage of munitions, and it can be equipped with means for carrying and moving packages in which the munitions can be stored.

An internal fragment shield protects against fragment impacts, and leaking chemical fluids.

Opening and closing of the vessel is remotely operated via a 50 m long cable. Large objects can easily be loaded because of the wide opening.

Contained gases can be kept inside until they are released through a valve system. Dynasafe can offer equipment to take air samples out of the closed and gas-tight vessel, with the purpose to determine if toxic gases are enclosed inside, as well as enhanced equipment to clean contained gases and decontaminate the chamber.

Available options *not included in the standard version*

- Shaped charge shielding.
- Wireless (radio remote) control of opening and closing of the vessel as well as pressurizing and decompressing of the seals.
- Robot buttons for alternative opening/closing by robot.
- Separate gas sampling equipment to take air samples out of the closed DynaSEALR.
- Enhanced decontamination equipment.

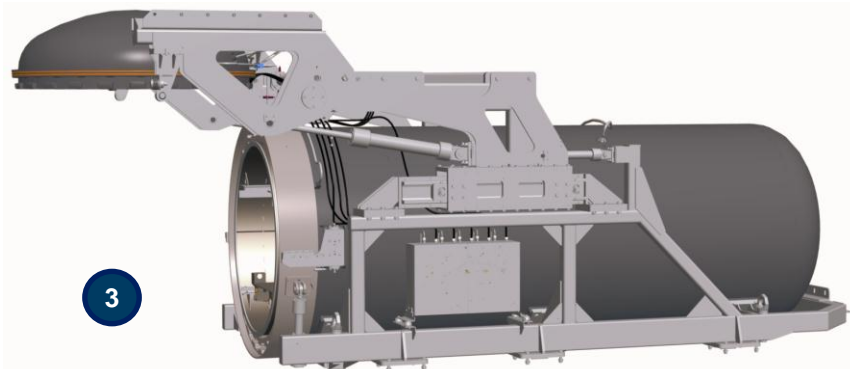
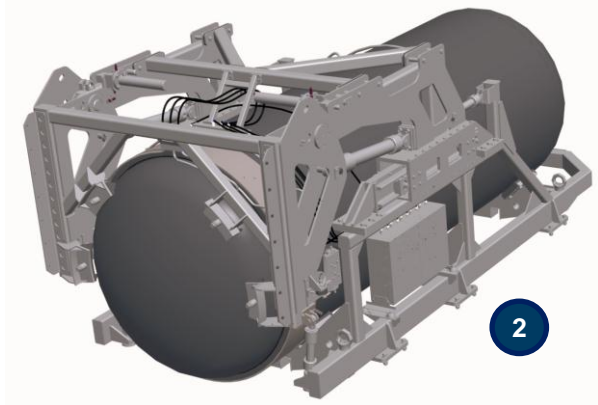
Technical characteristics

Characteristic	Value	Condition/Comment
Explosion capacity		
Rated explosion capacity	2 x 8 kg TNTeq	Distributed charge
Weight and dimensions		
Weight	13 000 kg	Unloaded
Width, vessel	2300 mm	Equals 92.1 inch
Height, closed	2300 mm	Equals 90.6 inch
Height, opened	2500 mm	Equals 98.4 inch
Length, vessel	3100 mm	Equals 122 inch
Loaded object		
Maximum size of loaded object (LxWxH)	2000 x 950 x 815 mm	Equals 78.7 x 37.4 x 32.1 inch
Maximum weight of loaded object	2 x 700 kg	Distributed weight

Note: All technical data is indicative only. The final numbers will be shown on the drawing.

The opening is performed in three stages:

- 1) Turning of the locking ring
- 2) Translational movement ~200mm of the rear gable to disengage from the locking ring
- 3) Tilting of the rear gable from 0° to 90°. In this position, the boxes can be loaded and unloaded.



The content of this document is subject to change without prior notice or obligation. © 2012 Dynasafe